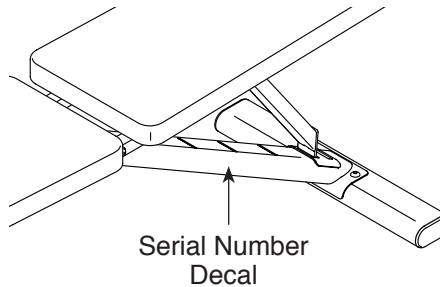


WEIDERPRO™

Model No. 831.15927.0

Serial No. _____

Write the serial number in the space above for reference.



- Assembly
- Operation
- Maintenance
- Part List and Drawing

Sears, Roebuck and Co.
Hoffman Estates, IL 60179

CAUTION

Read all precautions and instructions in this manual before using this equipment. Keep this manual for future reference.

WEIGHT BENCH EXERCISER User's Manual

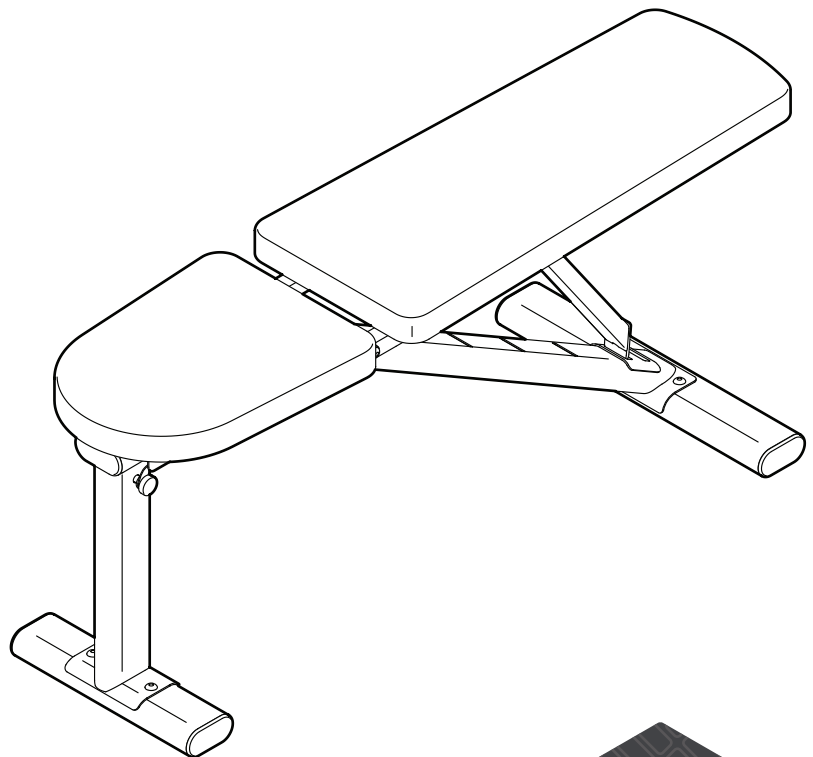


TABLE OF CONTENTS

WARNING DECAL PLACEMENT2

IMPORTANT PRECAUTIONS.....3

BEFORE YOU BEGIN.....4

PART IDENTIFICATION CHART.....5

ASSEMBLY.....6

ADJUSTMENT.....9

EXERCISE GUIDELINES.....10

PART LIST/EXPLODED DRAWING.....11

ORDERING REPLACEMENT PARTS..... Back Cover

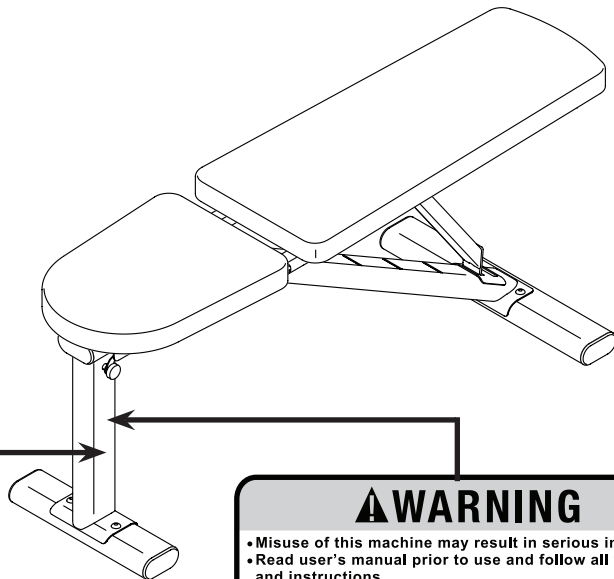
WARNING DECAL PLACEMENT

This drawing shows the location(s) of the warning decal(s). **Apply the decal in the location shown.** Note: The decal(s) may not be shown at actual size.

⚠ WARNING


User Weight: Max 300 LBS
 Weight Crutch: Max 210 LBS
 Leg Developer: Max 130 LBS
 Weight Carriage: Max 130 LBS
 Chest Fly Per Arm: Max 40 LBS

Product may not offer all listed exercises.



⚠ WARNING

- Misuse of this machine may result in serious injury.
- Read user's manual prior to use and follow all warnings and instructions.
- Do not allow children on or around machine.
- Keep body, clothing, and hair free and clear of all moving parts.
- Replace label if damaged, illegible, or removed.
- Maximum user weight: 300 lbs.



IMPORTANT PRECAUTIONS

⚠️ WARNING: To reduce the risk of serious injury, read all important precautions and instructions in this manual and all warnings on the weight bench before using the weight bench. Sears assumes no responsibility for personal injury or property damage sustained by or through the use of this product.

1. It is the responsibility of the owner to ensure that all users of the weight bench are adequately informed of all precautions.
2. Before beginning any exercise program, consult your physician. This is especially important for persons over age 35 or persons with pre-existing health problems.
3. Use the weight bench only as described in this manual.
4. The weight bench is intended for home use only. Do not use the weight bench in a commercial, rental, or institutional setting.
5. Keep the weight bench indoors, away from moisture and dust. Do not put the weight bench in a garage or covered patio, or near water.
6. Place the weight bench on a level surface, with enough clearance around the weight bench to mount, dismount, and use the weight bench.
7. Inspect and properly tighten all parts regularly. Replace any worn parts immediately.
8. Keep children under age 12 and pets away from the weight bench at all times.
9. Wear appropriate clothes while exercising. Always wear athletic shoes for foot protection while exercising.
10. The weight bench is designed to support a maximum user weight of 300 lbs. (136 kg), and a maximum total weight of 510 lbs. (231 kg). Do not use more than 210 lbs. (95 kg) of weights with the weight bench. Note: No weights are included.
11. Before using the weight bench, make sure that the seat pin and the backrest brace are properly inserted.
12. Over exercising may result in serious injury or death. If you feel faint or if you experience pain while exercising, stop immediately and cool down.

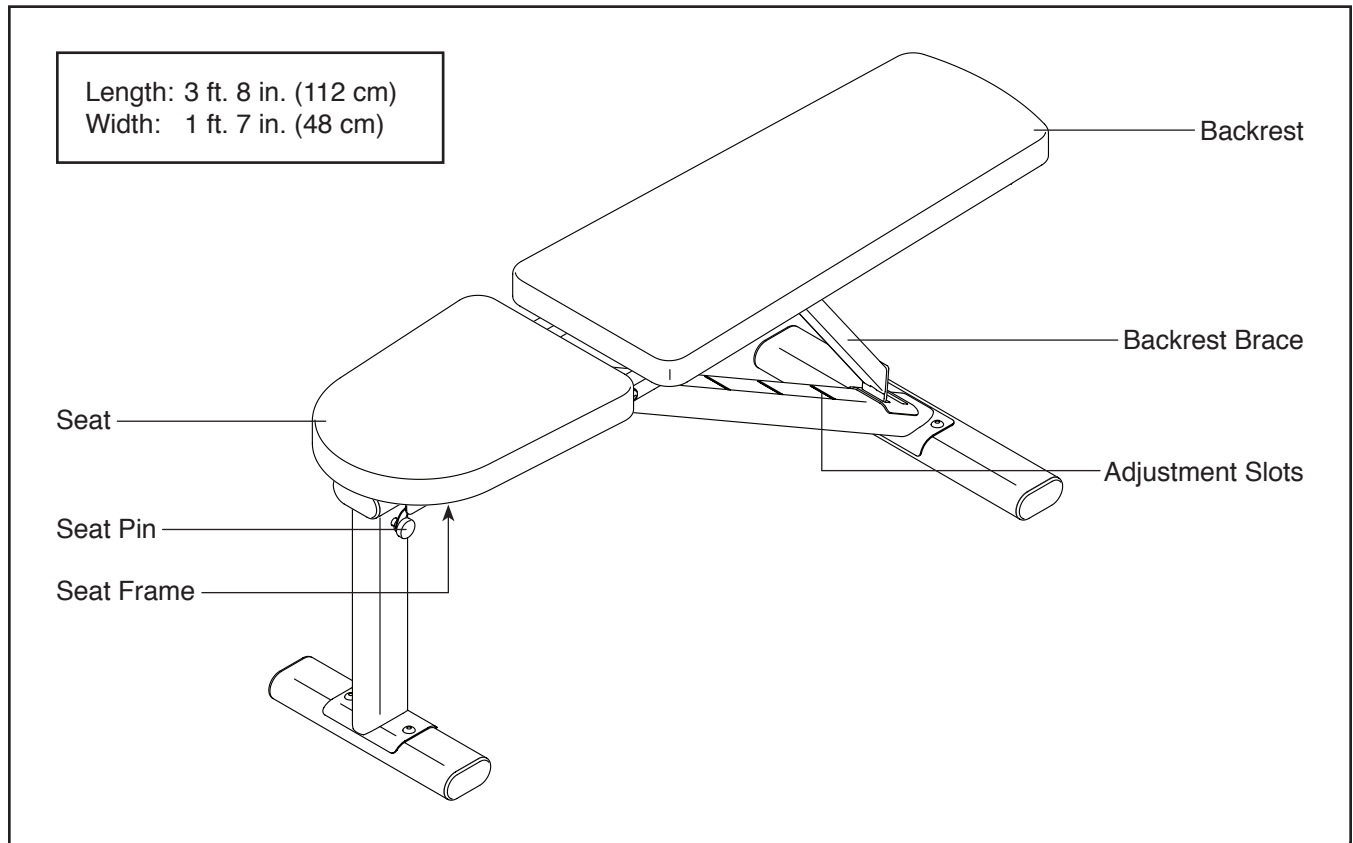
BEFORE YOU BEGIN

Thank you for selecting the WEIDER PRO™ weight bench. The versatile weight bench is designed to develop the major muscle groups of the upper body. Whether your goal is to develop a shapely figure, dramatic muscle size and strength, or a healthier cardiovascular system, the weight bench will help you to achieve the specific results you want.

For your benefit, read this manual carefully before using the weight bench. If you have questions after

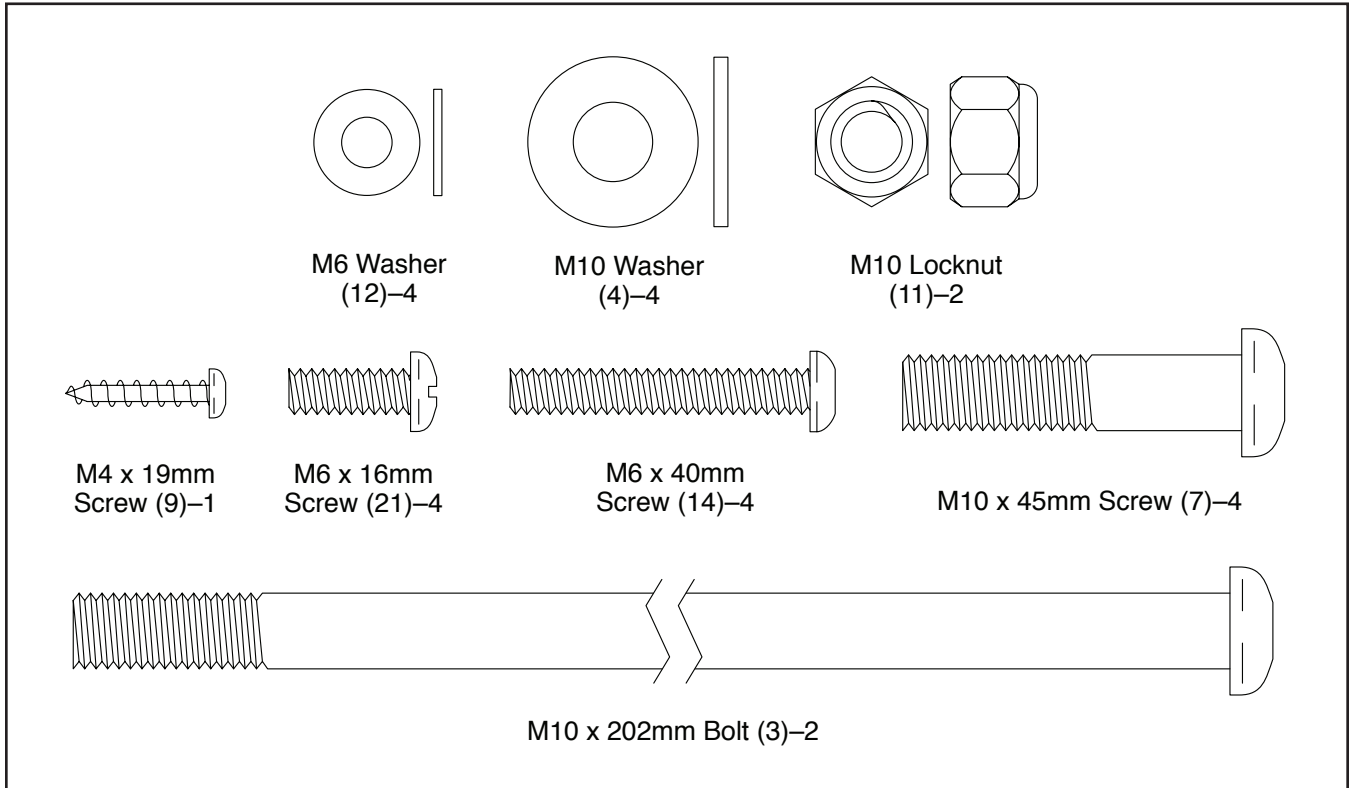
reading this manual, please see the back cover of this manual. To help us assist you, note the product model number and serial number before contacting us. The model number and the location of the serial number decal are shown on the front cover of this manual.

Before reading further, please review the drawing below and familiarize yourself with the labeled parts.



PART IDENTIFICATION CHART

Use the drawings below to identify the small parts needed for assembly. The number in parentheses below each drawing is the key number of the part, from the PART LIST near the end of this manual. The number following the key number is the quantity needed for assembly. **Note: If a part is not in the hardware kit, check to see if it has been preassembled. Extra parts may be included.**



ASSEMBLY

- Assembly requires two persons.
- Due to its weight and size, the weight bench should be assembled in the location where it will be used. Make sure that there is enough clearance to walk around the weight bench as you assemble it.
- Place all parts in a cleared area and remove the packing materials. Do not dispose of the packing materials until you finish all assembly steps.
- To identify small parts, see page 5.

- In addition to the included tool(s), assembly requires the following tool(s):

one adjustable wrench



one Phillips screwdriver



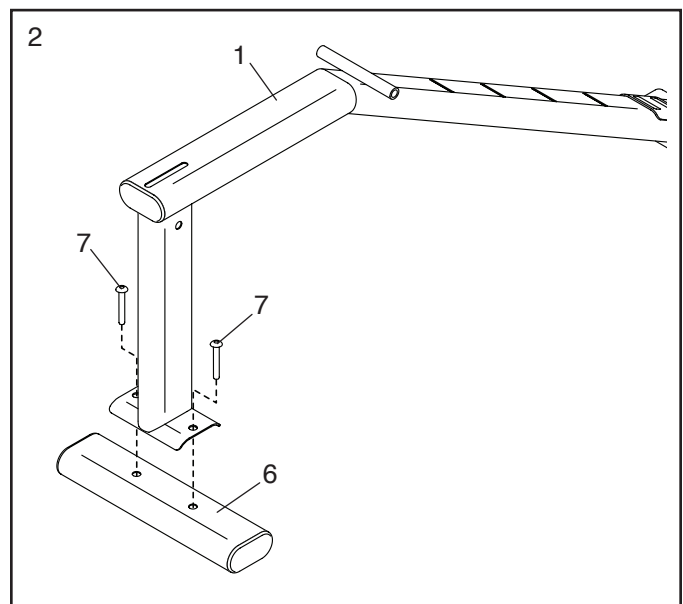
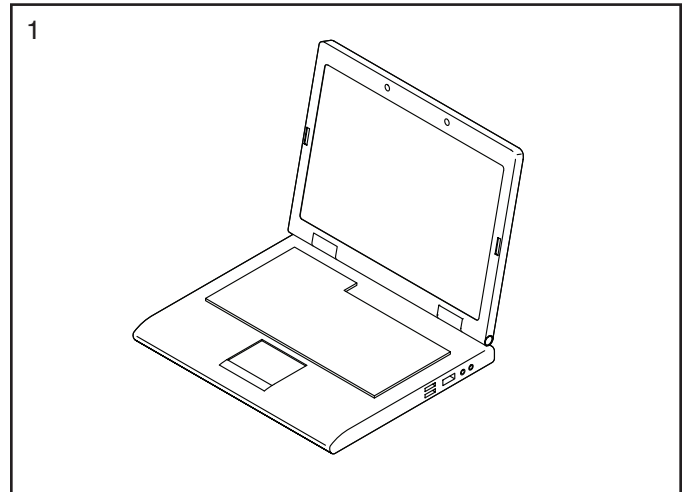
Assembly may be easier if you have a set of wrenches. To avoid damaging parts, do not use power tools.

1. **Go to www.weiderservice.com/registration on your computer and register your product.**

- activates your warranty
- saves you time if you ever need to contact Customer Care
- allows us to notify you of upgrades and offers

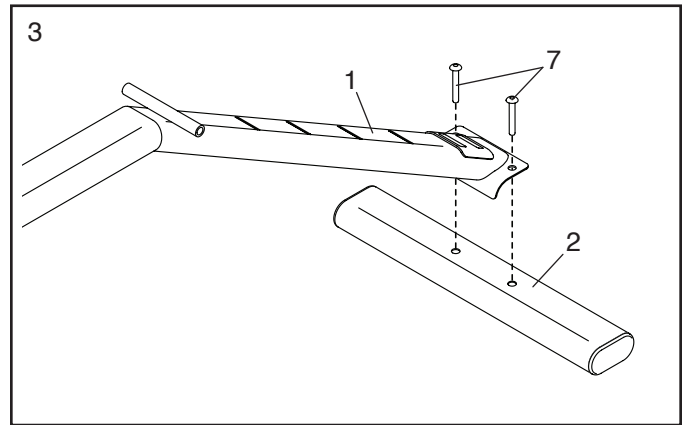
Note: If you do not have Internet access, call 1-877-992-5999 and register your product.

2. **Attach the Short Stabilizer (6) to the Frame (1) with two M10 x 45mm Screws (7); do not fully tighten the Screws yet.**



- Attach the Long Stabilizer (2) to the Frame (1) with two M10 x 45mm Screws (7); **start both Screws, and then tighten them.**

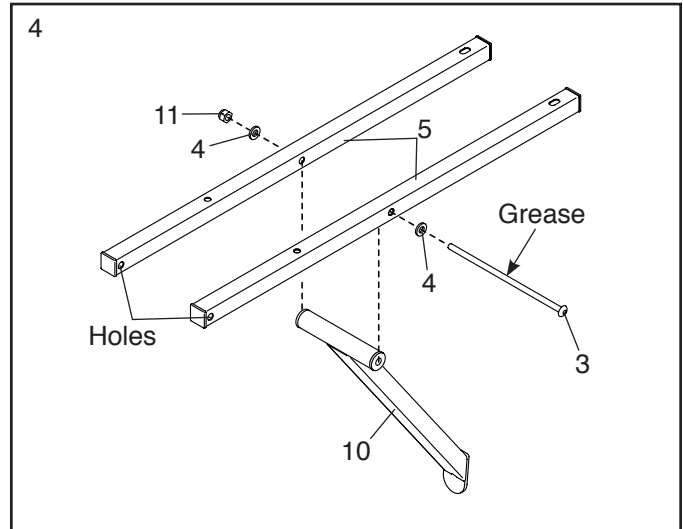
See step 2. Tighten the two M10 x 45mm Screws (7).



- Place a plastic bag over your hand to keep you fingers clean. Apply a small amount of the included grease to an M10 x 202mm Bolt (3).

Orient the two Backrest Frames (5) and the Backrest Brace (10) as shown.

Attach the Backrest Frames (5) to the Backrest Brace (10) with the M10 x 202mm Bolt (3), two M10 Washers (4), and an M10 Locknut (11); **do not fully tighten the Locknut yet.**



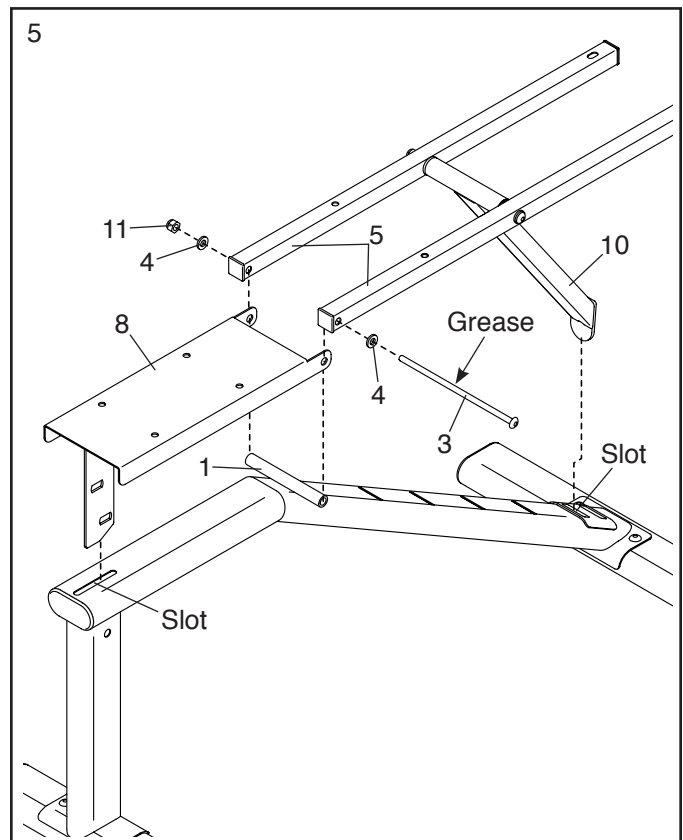
- Apply a small amount of the included grease to an M10 x 202mm Bolt (3).

Insert the lower end of the Seat Frame (8) into the slot in the top of the Frame (1).

Insert the lower end of the Backrest Brace (10) into one of the adjustment slots in the Frame (1).

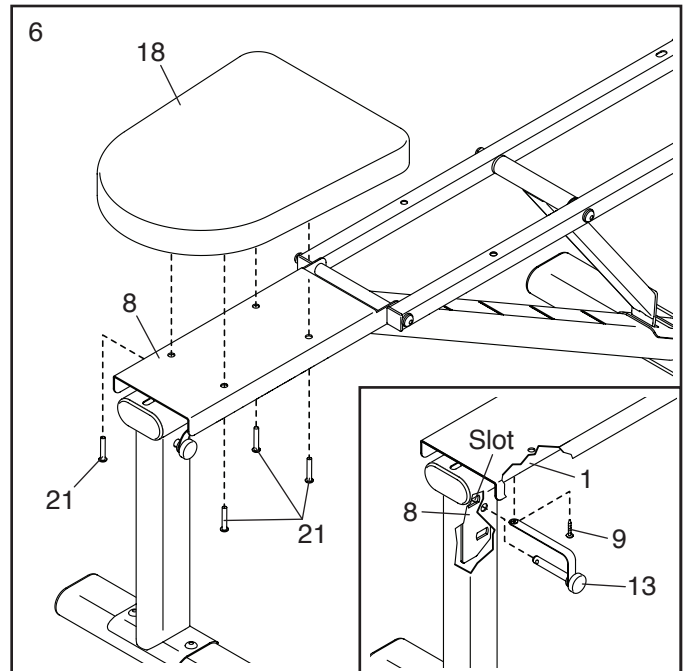
Attach the Seat Frame (8) and the Backrest Frames (5) to the welded tube on the Frame (1) with the M10 x 202mm Bolt (3), two M10 Washers (4), and an M10 Locknut (11). **Do not overtighten the Locknut; the Seat Frame and the Backrest Frames should pivot freely.**

See step 4. Tighten the M10 Locknut (11). **Do not overtighten the Locknut; the Backrest Brace (10) should pivot freely.**

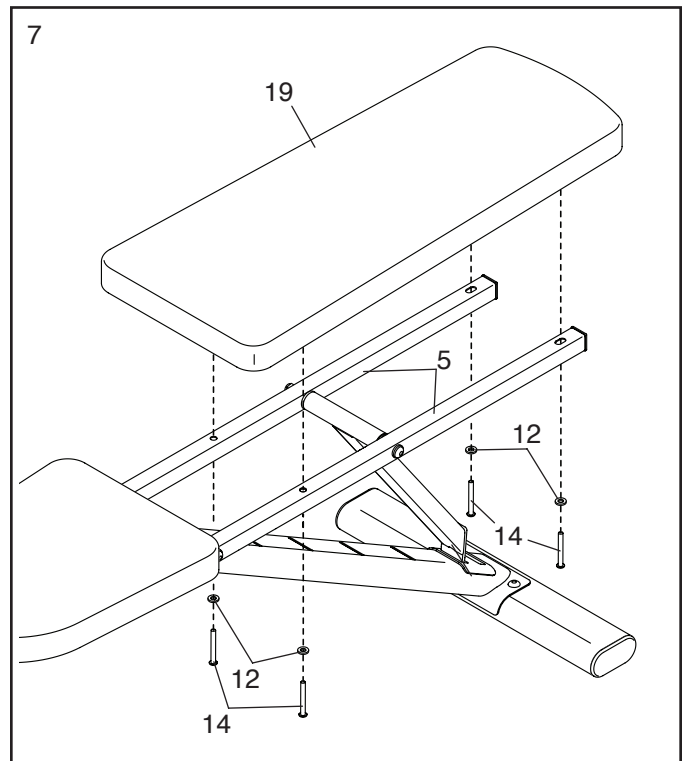


6. **See the inset drawing.** Attach the tether on the Seat Pin (13) to the underside of the Frame (1) with an M4 x 19mm Screw (9). Then, insert the Seat Pin into the Frame and into one of the slots in the Seat Frame (8).

Attach the Seat (18) to the Seat Frame (8) with four M6 x 16mm Screws (21); **start all four Screws, and then tighten them.**



7. Attach the Backrest (19) to the Backrest Frames (5) with four M6 x 40mm Screws (14) and four M6 Washers (12); **start all four Screws, and then tighten them.**



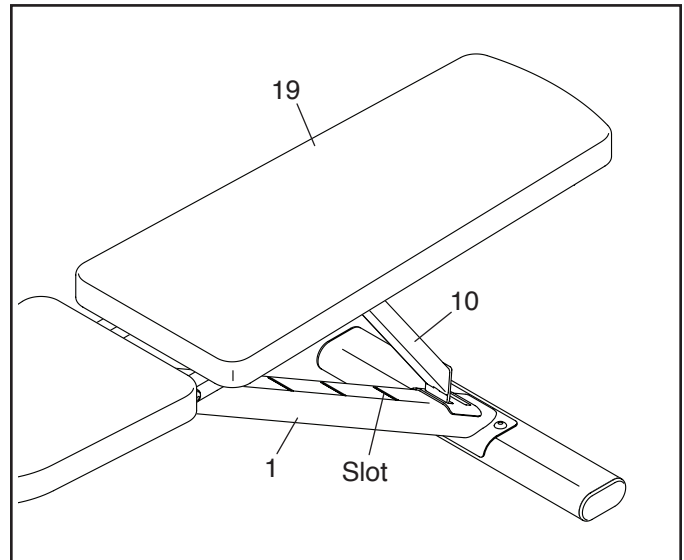
8. **Make sure that all parts are properly tightened before you use the weight bench.** Note: Extra parts may be included.

ADJUSTMENT

The steps below explain how to adjust the weight bench. Make sure that all parts are properly tightened each time the weight bench is used. Replace any worn parts immediately. The weight bench can be cleaned with a damp cloth and a mild, non-abrasive detergent; **do not use solvents to clean the weight bench.**

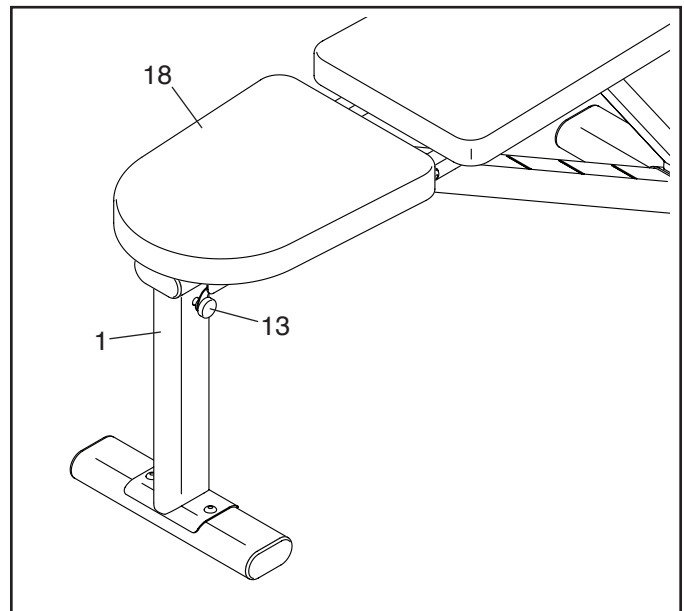
ADJUSTING THE BACKREST

To adjust the angle of the Backrest (19), raise the Backrest and insert the lower end of the Backrest Brace (10) into one of the adjustment slots in the Frame (1).



ADJUSTING THE SEAT

To adjust the angle of the Seat (18), remove the Seat Pin (13), raise or lower the Seat, and then insert the Seat Pin into the Frame (1) and into one of the adjustment slots in the Seat Frame (not shown).



EXERCISE GUIDELINES

FOUR TYPES OF STRENGTH WORKOUTS

Note: A “repetition” is one complete cycle of an exercise, such as one sit-up. A “set” is a series of repetitions.

Muscle Building—Work your muscles near their maximum capacity and progressively increase the intensity of your exercise. Adjust the intensity level of an individual exercise as follows:

- Change the amount of resistance used.
- Change the number of repetitions or sets performed.

Use your own judgment to determine the amount of resistance that is right for you. Begin with 3 sets of 8 repetitions for each exercise you perform. Rest for 3 minutes after each set. When you can complete 3 sets of 12 repetitions without difficulty, increase the amount of resistance.

Toning—Tone your muscles by working them to a moderate percentage of their capacity. Select a moderate amount of resistance and increase the number of repetitions in each set. Complete as many sets of 15 to 20 repetitions as possible without discomfort. Rest for 1 minute after each set. Work your muscles by completing more sets rather than by using high amounts of resistance.

Weight Loss—To lose weight, use a low amount of resistance and increase the number of repetitions in each set. Exercise for 20 to 30 minutes, resting for a maximum of 30 seconds between sets.

Cross Training—Combine strength training and aerobic exercise by following this type of program:

- Strength training workouts on Monday, Wednesday, and Friday.
- 20 to 30 minutes of aerobic exercise on Tuesday and Thursday.
- One full day of rest each week to give your body time to regenerate.

WORKOUT GUIDELINES

Familiarize yourself with the equipment and learn the proper form for each exercise. Use your own judgment to determine the appropriate length of time for each

workout, and the numbers of repetitions and sets to complete. Progress at your own pace and be sensitive to your body’s signals. Follow each workout with at least one day of rest.

Warming Up—Start with 5 to 10 minutes of stretching and light exercise. A warm-up increases your body temperature, heart rate, and circulation in preparation for exercise.

Working Out—Include 6 to 10 different exercises in each workout. Select exercises for every major muscle group, emphasizing areas that you want to develop. To give balance and variety to your workouts, vary the exercises from workout to workout.

Cooling Down—Finish with 5 to 10 minutes of stretching. Stretching increases the flexibility of your muscles and helps to prevent post-exercise problems.

EXERCISE FORM

Move through the full range of motion for each exercise and move only the appropriate parts of the body. Perform the repetitions in each set smoothly and without pausing. The exertion stage of each repetition should last about half as long as the return stage. Exhale during the exertion stage of each repetition and inhale during the return stroke. Never hold your breath.

Rest for a short period of time after each set:

- Muscle Building—Rest for three minutes after each set.
- Toning—Rest for one minute after each set.
- Weight Loss—Rest for 30 seconds after each set.

STAYING MOTIVATED

For motivation, keep a record of each workout. Write the date, the exercises performed, the resistance used, and the numbers of sets and repetitions completed. Record your weight and key body measurements once a month. To achieve good results, make exercise a regular and enjoyable part of your life.

PART LIST/EXPLODED DRAWING

Model No. 831.15927.0 R0713A

Key No.	Qty.	Description	Key No.	Qty.	Description
1	1	Frame	13	1	Seat Pin
2	1	Long Stabilizer	14	4	M6 x 40mm Screw
3	2	M10 x 202mm Bolt	15	2	Brace Bushing
4	4	M10 Washer	16	5	Oval Cap
5	2	Backrest Frame	17	4	Square Cap
6	1	Short Stabilizer	18	1	Seat
7	4	M10 x 45mm Screw	19	1	Backrest
8	1	Seat Frame	20	4	Foot
9	5	M4 x 19mm Screw	21	4	M6 x 16mm Screw
10	1	Backrest Brace	*	-	Grease Packet
11	2	M10 Locknut	*	-	User's Manual
12	4	M6 Washer			

Note: Specifications are subject to change without notice. *These parts are not illustrated.

